

DR 202 Regenerative Blower

FEATURES

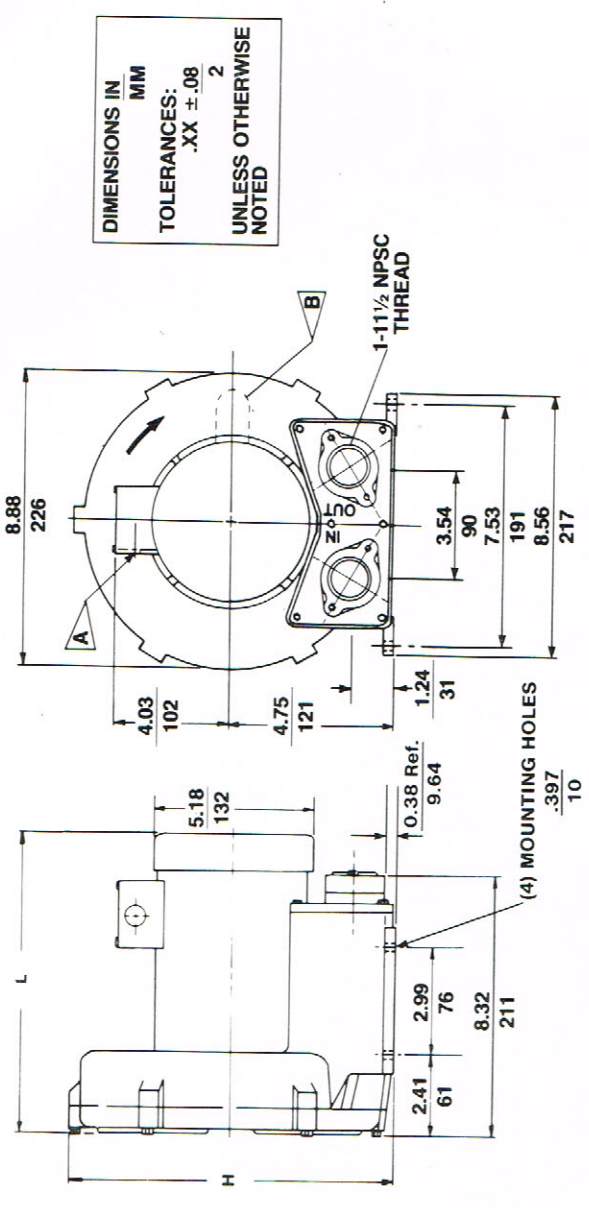
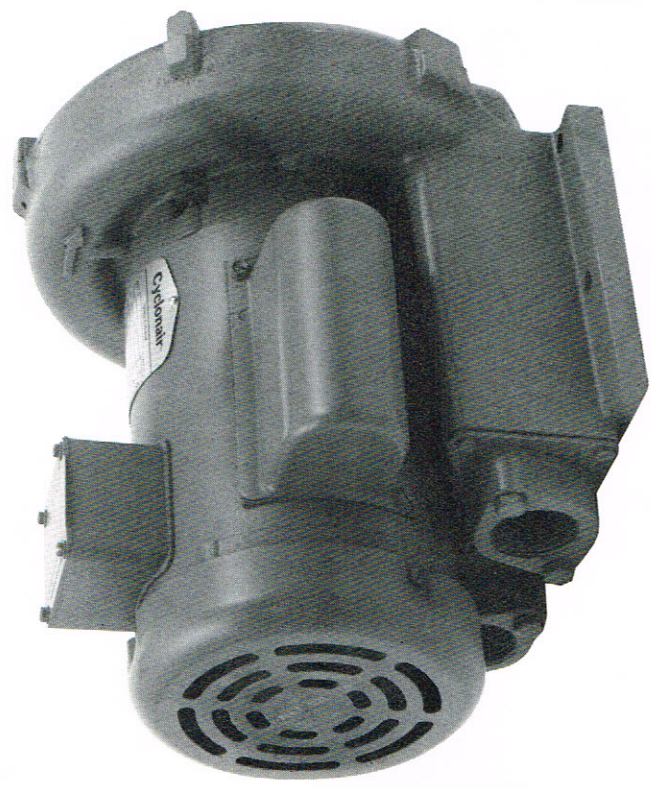
- Manufactured in the USA
- Maximum flow 48 SCFM
- Maximum pressure 33" WG
- Maximum vacuum 2.3" Hg
- .33 HP, TEFC, single phase motor standard
- Blower construction—cast aluminum housing, impeller and cover
- Inlet and outlet internal muffling
- Noise level within OSHA standards
- Weight: 29 lbs. (13.2 Kg)

ACCESSORIES

- External mufflers
- Slip-on flanges
- Intake filters
- For details see Accessories Section

OPTIONS

- 575-volt and XP motors
- Surface treatment or plating
- Single or three phase motors
- Gas tight sealing
- Belt drive (motorless) model; for details see Remote Drive Section



DIMENSIONS IN
MM
TOLERANCES:
.XX ± .08
2
UNLESS OTHERWISE
NOTED

MODEL	L (IN./MM)	H (IN./MM)
DR202Y9	11.34/288	9.45/240
DR202Y72	11.34/288	9.45/240
DR202AA91	9.47/240	10.52/267
DR202Y86	11.34/288	9.45/240
DR202AA58	10.47/266	10.52/267

- ▲ .87 INCH DIAMETER CONNECTOR HOLE
- ▢ CAPACITOR LOCATION SINGLE PHASE MODELS

Specifications subject to change without notice.

SPECIFICATIONS

MODEL	DR202Y9	DR202Y72	DR202AA58	DR202AA91	DR202Y86
Part No.	037066	037067	036847	036846	036373
Motor Enclosure Type	TEFC	TEFC	XP	XP	TEFC
Motor Horsepower	.33	.33	.33	.33	.33
Voltage ¹	115/230	230/460	115/230	230/460	575
Phase	1	3	1	3	3
Frequency ¹ (Hz)	60	60	60	60	60
Insulation Class ²	F	F	B	B	F
NEMA Rated Motor Amps	3.8/1.9	1.3/0.65	3.8/1.9	1.3/0.65	0.5
Service Factor	1.35	1.35	1.0	1.0	1.35
Locked Rotor Amps	15.6/7.8	9.7/4.8	15.6/7.8	8.8/4.4	3.5
Max. Blower Amps	3.06/1.53	1.23/0.62	3.06/1.53	1.23/0.62	0.5
Recommended NEMA Starter Size	00/00	00/00	00/00	00/00	00
Weight (lbs./Kg)	32 (14.5)	29 (13.2)	32 (14.5)	29 (13.2)	29 (13.2)
Blower Limitations for Continuous Duty (60 Hz/50 Hz)					
Max. Pressure-In. of water	33/27	33/27	33/27	33/27	33 (60 Hz)
Min. Suction-In. of water	30.5/26	30.5/26	33/27	30.5/26	30.5 (60 Hz)
Min. Flow-Pressure-SCFM	0/0	0/0	0/0	0/0	0 (60 Hz)
Min. Flow-Suction-SCFM	0/0	0/0	0/0	0/0	0 (60 Hz)

¹All 3 phase motors are factory tested and certified to operate on 200-230/460 VAC-3 ph-60 Hz and 220-240/380-415 VAC-3 ph-50 Hz. All 1 phase motors are factory tested and certified to operate on 115/230 VAC-1 ph-60 Hz and 220-240 VAC-1 ph-50 Hz.

²Maximum operating temperatures: Motor winding temperature (winding rise plus ambient) should not exceed 140°C for Class F insulation or 110°C for Class B insulation. Blower outlet air temperature should not exceed 140°C (air temperature rise plus ambient).

DR 202 Regenerative Blower

