



Enviro-Equipment Inc.
10120 Industrial Drive
Pineville NC 28134

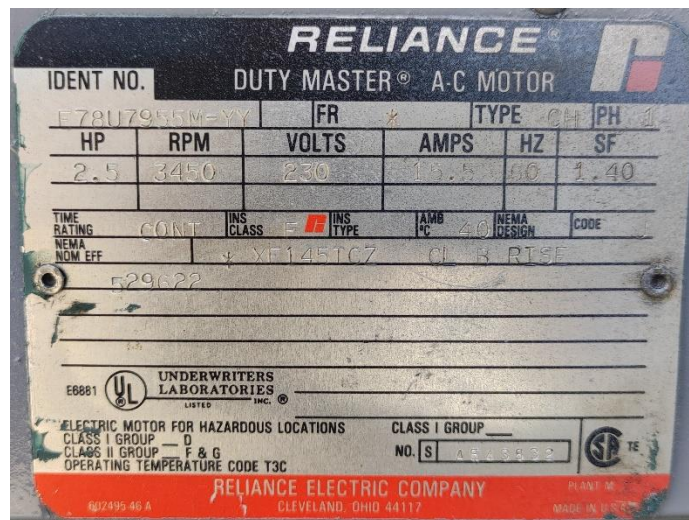
Stock#: 1598

Rotron EN505CJ5ML. 2.5HP, 230V, 1-Phase, XP Regenerative Blower

Dimensions: 18.27" x 16.49" x 15" Weight: 103 lbs. (Blower Only)

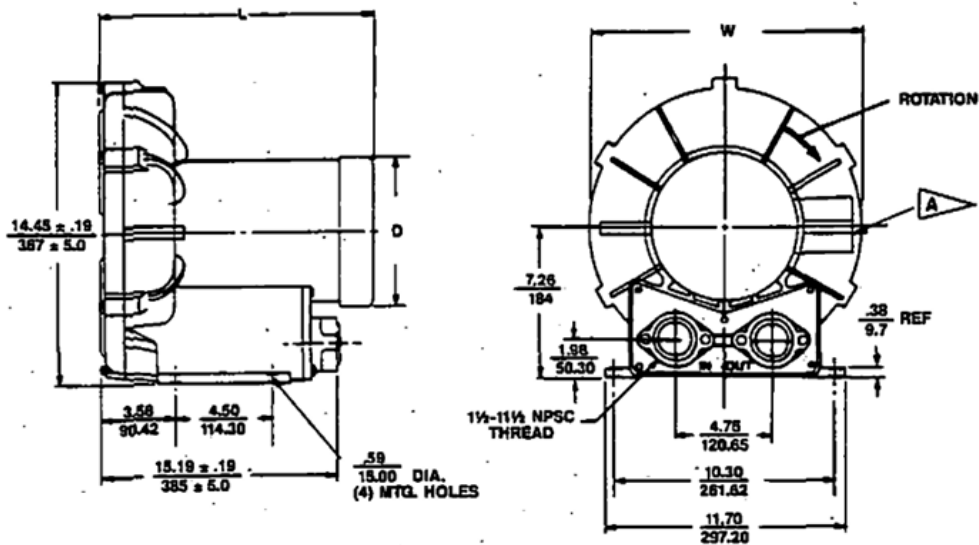
Manufacturer: Rotron
Model: EN505CJML
Max Vacuum: 50" H2O
Max Pressure: 50" H2O
Max Flow: 160 SCFM

Motor: Reliance
HP: 2.5
Phase: 1PH
Voltage: 230V
RPM: 3450
Explosion Proof: Yes





Enviro-Equipment Inc.
10120 Industrial Drive
Pineville NC 28134



A 0.75" NPT CONDUIT CONNECTION AT 12 O'CLOCK POSITION

DIMENSIONS: $\frac{IN}{MM}$
TOLERANCES: XX $\pm \frac{.05}{2.0}$
XXX $\pm \frac{.030}{.800}$
(UNLESS OTHERWISE NOTED)

MODEL	L (IN) $\pm .30$	L (MM) ± 8	D (IN)	D (MM)	W (IN)	W (MM) ± 5
EN/CP505AX72ML	16.68	423	7.18	182	13.53	344
EN/CP505AX58ML	17.52	445	7.18	182	13.53	344
EN/CP505CJ5ML	18.27	464	7.32	186	18.49	419

SPECIFICATIONS

MODEL	EN505AX58ML		EN505AX72ML		EN505CJ5ML	CP505FS58MLR	CP505FS72MLR
Part No.	038177		038178		038445	-	038962
Motor Enclosure - Shaft Material	Explosion-proof - CS		Explosion-proof - CS		Explosion-proof - CS	Chem XP - SS	Chem XP - SS
Horsepower	2.0		2.0		2.5	Same as EN505AX58ML - 038177 except add Chemical Processing (CP) features from catalog inside front cover	Same as EN505AX72ML - 038178 except add Chemical Processing (CP) features from catalog inside front cover
Phase - Frequency	Single - 60 Hz		Three - 60 Hz		Single - 60 Hz		
Voltage ¹	115	230	230	460	230		
Motor Nameplate Amps	17.2	8.6	5.8	2.9	12.7		
Maximum Blower Amps ³	22.0	11.0	6.2	3.1	14.0		
Inrush Amps	112	56	56	28	86		
Starter Size	1	0	0	0	1		
Service Factor	1.0		1.0		1.0		
Thermal Protection ²	Pilot Duty		Pilot Duty		Pilot Duty		
Bearing Type	Sealed, Ball		Sealed, Ball		Sealed, Ball		
Shipping Weight	95 lb (43 kg)		87 lb (40 kg)		103 lb (228 kg)		



Enviro-Equipment Inc.
10120 Industrial Drive
Pineville NC 28134

BLOWER PERFORMANCE AT STANDARD CONDITIONS

