

# **SERVICE AND PARTS MANUAL FOR BLOWER MODEL**

**DR6, 858, 909, 979, 14**

## **DIRECT DRIVE REGENERATIVE BLOWER**



**AMETEK**

AMETEK Dynamic Fluid Solutions  
100 East Erie St., Kent, Ohio 44240  
Telephone: 330-673-3452 Fax: 330-677-3306  
email: [dfs.information@ametek.com](mailto:dfs.information@ametek.com)  
internet: [www.ametekdfs.com](http://www.ametekdfs.com)

**Your Choice. Our Commitment.™**

# WARRANTY, INSTALLATION, MAINTENANCE AND TROUBLESHOOTING INSTRUCTIONS



AMETEK Dynamic Fluid Solutions  
100 East Erie St., Kent, Ohio 44240  
Telephone: 330-673-3452 Fax: 330-677-3306  
email: [dfs.information@ametek.com](mailto:dfs.information@ametek.com)  
internet: [www.ametekdfs.com](http://www.ametekdfs.com)

1. AMETEK Rotron DR, EN and HiE regenerative direct drive blowers are guaranteed for one full year from the date of installation (limited to 18 months from the date of shipment) to the original purchaser only. Should the blower fail we will evaluate the failure. If failure is determined to be workmanship or material defect related, we will at our option repair or replace the blower.
2. AMETEK Rotron Minispiral, Revaflow, Multiflow, Nautilair, remote drive blowers, moisture separators, packaged units, CP blowers, Nasty Gas™ models and special built (EO) products are guaranteed for one full year from date of shipment for workmanship and material defect to the original purchaser only. Should the blower fail, If failure is determined to be workmanship or material defect related, we will at our option repair or replace the blower.
3. **Parts Policy** - AMETEK Rotron spare parts and accessories are guaranteed for three months from date of shipment for workmanship and material defect to the original purchaser only. If failure is determined to be workmanship or material defect related we will at our option repair or replace the part.

**Corrective Action** - A written report will be provided indicating reason(s) for failure, with suggestions for corrective action. Subsequent customer failures due to abuse, misuse, misapplication or repeat offense will not be covered. AMETEK Rotron will then notify you of your options. Any failed unit that is tampered with by attempting repair or diagnosis will void the warranty, unless authorized by the factory.

**Terms and Conditions** - Our warranty covers repairs or replacement of regenerative blowers only, and will not cover labor for installation, outbound and inbound shipping costs, accessories or other items not considered integral blower parts. Charges may be incurred on products returned for reasons other than failures covered by their appropriate warranty. Out-of-warranty product and in warranty product returned for failures determined to be caused by abuse, misuse, or repeat offense will be subject to an evaluation charge. Maximum liability will in no case exceed the value of the product purchased. Damage resulting from mishandling during shipment is not covered by this warranty. It is the responsibility of the purchaser to file claims with the carrier. Other terms and conditions of sale are stated on the back of the order acknowledgement.

## Installation Instructions for SL, DR, EN, CP, and HiE Series Blowers

1. **Bolt It Down** - Any blower must be secured against movement prior to starting or testing to prevent injury or damage. The blower does not vibrate much more than a standard electric motor.
2. **Filtration** - All blowers should be filtered prior to starting. Care must be taken so that no foreign material enters the blower. If foreign material does enter the blower, it could cause internal damage or may exit at extremely high velocity.

Should excessive amounts of material pass through the blower, it is suggested that the cover(s) and impeller(s) be removed periodically and cleaned to avoid impeller imbalance. Impeller

imbalance greatly speeds bearing wear, thus reducing blower life. Disassembling the blower will void warranty, so contact the factory for cleaning authorization.

- Support the Piping** - The blower flanges and nozzles are designed as connection points only and are not designed to be support members.

Caution: Plastic piping should not be used on blowers larger than 1 HP that are operating near their maximum pressure or suction point. Blower housing and nearby piping temperatures can exceed 200°F. Access by personnel to the blower or nearby piping should be limited, guarded, or marked, to prevent danger of burns.

- Wiring** - Blowers must be wired and protected/fused in accordance with local and national electrical codes. All blowers must be grounded to prevent electrical shock. Slo-Blo or time delay fuses should be used to bypass the first second of start-up amperage.
- Pressure/Suction Maximums** - The maximum pressure and/or suction listed on the model label should not be exceeded. This can be monitored by means of a pressure or suction gage (available from Rotron), installed in the piping at the blower outlet or inlet. Also, if problems do arise, the Rotron Field representative will need to know the operating pressure/suction to properly diagnose the problem.
- Excess Air** - Bleed excess air off. DO NOT throttle to reduce flow. When bleeding off excess air, the blower draws less power and runs cooler.

**Note:** Remote Drive (Motorless) Blowers - Properly designed and installed guards should be used on all belts, pulleys, couplings, etc. Observe maximum remote drive speed allowable. Due to the range of uses, drive guards are the responsibility of the customer or user. Belts should be tensioned using belt gauge.

Maintenance Procedure

**When properly piped, filtered, and applied, little or no routine maintenance is required. Keep the filter clean. Also, all standard models in the DR, EN, CP, and HiE series have sealed bearings that require no maintenance. Bearing should be changed after 15,000 to 20,000 hours, on average. Replacement bearing information is specified on the chart below.**

| Bearing Part Number  | Size   | Seal Material | Grease                              | Heat Stabilized |
|--|--|---------------|-------------------------------------|-----------------|
| 510217<br>510218<br>510219   | 205<br>206<br>207                                    | Polyacrylic   | Nye Rheotemp 500<br>30% +/- 5% Fill | Yes – 325 F     |
| 510449<br>516440<br>516648   | 203<br>202<br>307                                    | Buna N        | Exxon Polyrex Grease                | NO              |
| 516840<br>516841<br>516842<br>516843<br>516844<br>516845<br>516846<br>516847 | 206<br>207<br>208<br>210<br>309<br>310<br>311<br>313 | Buna N        | Exxon Polyrex Grease                | NO              |

## Troubleshooting

|  |                                     | POSSIBLE CAUSE  | OUT OF WARRANTY REMEDY ***   |
|--|-------------------------------------|---|--|
| IMPELLER DOES NOT TURN   | Humming Sound                       | <ol style="list-style-type: none"> <li>* One phase of power line not connected</li> <li>* One phase of stator winding open</li> <li>Bearings defective</li> <li>Impeller jammed by foreign material</li> <li>Impeller jammed against housing or cover</li> <li>** Capacitor open</li> </ol>   | <ol style="list-style-type: none"> <li>Connect</li> <li>Rewind or buy new motor</li> <li>Change bearings</li> <li>Clean and add filter</li> <li>Adjust</li> <li>Change capacitor</li> </ol>  |
|  | No Sound                            | <ol style="list-style-type: none"> <li>* Two phases of power line not connected</li> <li>* Two phases of stator winding open</li> </ol>   | <ol style="list-style-type: none"> <li>Connect</li> <li>Rewind or buy new motor</li> </ol>   |
| IMPELLER TURNS   | Blown Fuse                          | <ol style="list-style-type: none"> <li>Insufficient fuse capacity</li> <li>Short circuit</li> </ol>   | <ol style="list-style-type: none"> <li>Use time delay fuse of proper rating</li> <li>Repair</li> </ol>   |
|  | Motor Overheated Or Protector Trips | <ol style="list-style-type: none"> <li>High or low voltage</li> <li>* Operating in single phase condition</li> <li>Bearings defective</li> <li>Impeller rubbing against housing or cover</li> <li>Impeller or air passage clogged by foreign material</li> <li>Unit operating beyond performance range</li> <li>Capacitor shorted</li> <li>* One phase of stator winding short circuited</li> </ol> | <ol style="list-style-type: none"> <li>Check input voltage</li> <li>Check connections</li> <li>Check bearings</li> <li>Adjust</li> <li>Clean and add filter</li> <li>Reduce system pressure/vacuum</li> <li>Change capacitor</li> <li>Rewind or buy new motor</li> </ol> |
|  | Abnormal Sound                      | <ol style="list-style-type: none"> <li>Impeller rubbing against housing or cover</li> <li>Impeller or air passages clogged by foreign material</li> <li>Bearings defective</li> </ol>   | <ol style="list-style-type: none"> <li>Adjust</li> <li>Clean and add filter</li> <li>Change bearings</li> </ol>  |
|  | Performance Below Standard          | <ol style="list-style-type: none"> <li>Leak in piping</li> <li>Piping and air passages clogged</li> <li>Impeller rotation reversed</li> <li>Leak in blower</li> <li>Low voltage</li> </ol>  | <ol style="list-style-type: none"> <li>Tighten</li> <li>Clean</li> <li>Check wiring</li> <li>Tighten cover, flange</li> <li>Check input voltage</li> </ol>   |
| <p>* 3 phase units<br/>           ** 1 phase units<br/>           *** Disassembly and repair of new blowers or motors will void the Rotron warranty. Factory should be contacted prior to any attempt to field repair an in-warranty unit.</p> |                                     |   |  |

### **Blower Disassembly:**

**WARNING:** Attempting to repair or diagnose a blower may void Rotron's warranty. It may also be difficult to successfully disassemble and reassemble the unit.

- 1) Disconnect the power leads. **CAUTION:** Be sure the power is disconnected before doing any work whatsoever on the unit.
- 2) Remove or separate piping and/or mufflers and filters from the unit.
- 3) Remove the cover bolts and then the cover. **NOTE:** Some units are equipped with seals. It is mandatory that these seals be replaced once the unit has been opened.
- 4) Remove the impeller bolt and washers and then remove the impeller. **NOTE:** Never pry on the edges of the impeller. Use a puller as necessary.
- 5) Carefully note the number and location of the shims. Remove and set them aside. **NOTE:** If the disassembly was for inspection and cleaning the unit may now be reassembled by reversing the above steps. If motor servicing or replacement and/or impeller replacement is required the same shims may not be used. It will be necessary to re-shim the impeller according to the procedure explained under assembly.

- 6) Remove the housing bolts and remove the motor assembly (arbor/housing on remote drive models).
- 7) Arbor disassembly (Applicable on remote drive models only):
  - a) Slide the bearing retraining sleeve off the shaft at the blower end.
  - b) Remove the four (4) screws and the bearing retaining plate from the blower end.
  - c) Lift the shaft assembly far enough out of the arbor to allow removal of the blower end snap ring.
  - d) Remove the shaft assembly from the arbor.
  - e) If necessary, remove the shaft dust seal from the pulley end of the arbor.

*Muffler Material Replacement:*

- 1) Remove the manifold cover bolts and them manifold cover.
- 2) The muffler material can now be removed and replaced if necessary. On blowers with fiberglass acoustical wrap the tubular retaining screens with the fiberglass matting before sliding the muffler pads over the screens.
- 3) Reassemble by reversing the procedure.

**NOTE: On DR068 models with tubular mufflers it is necessary to remove the cover and impeller accessing the muffler material from the housing cavity.**

*Blower Reassembly:*

- 1) Place the assembled motor (assembled arbor assembly for remote drive models) against the rear of the housing and fasten with the bolts and washer.
- 2) To ensure the impeller is centered within the housing cavity re-shim the impeller according to the procedure outlined below.
- 3) If blower had a seal replace the seal with a new one.
- 4) Place the impeller onto the shaft making sure the shaft key is in place and fasten with the bolt, washer and spacer as applicable. Torque the impeller bolt per the table below. Once fastened carefully rotate the impeller to be sure it turns freely.
- 5) Replace the cover and fasten with bolts.
- 6) Reconnect the power leads to the motor per the motor nameplate.

| <b>Bolt Size</b> | <b>Torque<br/>Pound-Force-Foot</b> |
|------------------|------------------------------------|
| <b>1/4-20</b>    | <b>6.25 +/- 0.25</b>               |
| <b>5/16-18</b>   | <b>11.5 +/- 0.25</b>               |
| <b>3/8-16</b>    | <b>20.0 +/- 0.5</b>                |
| <b>1/2-13</b>    | <b>49.0 +/- 1</b>                  |
| <b>5/8 -11</b>   | <b>90.0 +/- 2</b>                  |

*Impeller Shimming Procedure:*

WARNING: This unit may be difficult to shim. Extreme care may be exercised.

Tools Needed: Machinist's Parallel Bar  
Vernier Caliper with depth measuring capability  
Feeler gauges or depth gauge

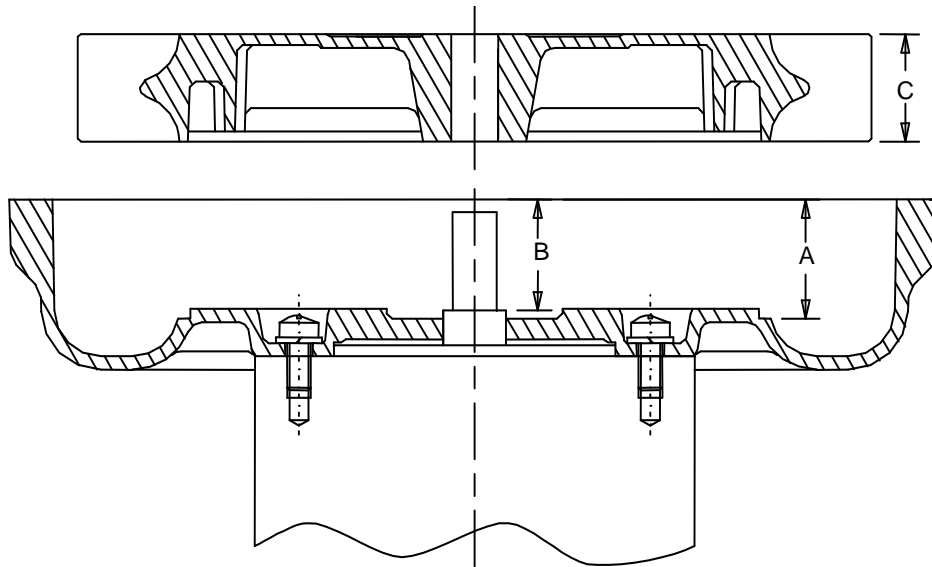
Measure the Following:

- Distance from the flange face to the housing (A)
- Distance from the flange face to the motor shaft shoulder (B)
- Impeller Thickness (C)

Measurements (A) and (B) are made by laying the parallel bar across the housing flange face and measuring to the proper points. Each measurement should be made at three points, and the average of the readings should be used.

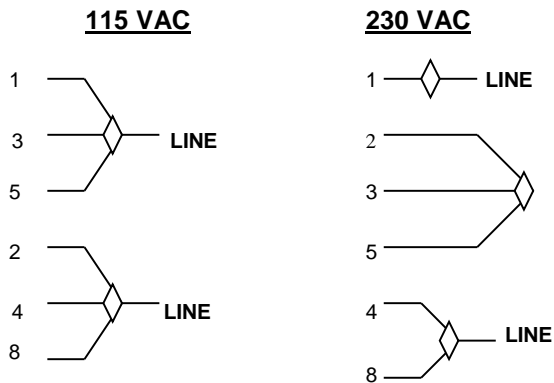
$$\text{Shim Thickness} = B - (A+C)/2$$

After the impeller installation (step #4 above) the impeller/cover clearance can be checked with feeler gauges, laying the parallel bar across the housing flange face. This clearance should nominally be  $(A-C)/2$ .



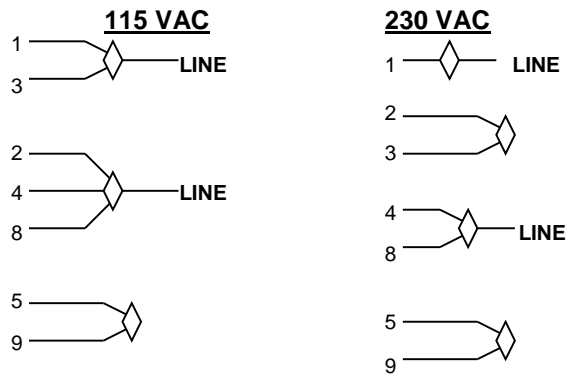
# WIRING DIAGRAMS, TEFC and ODP MOTORS

## A. 1Ø, 6 WIRE



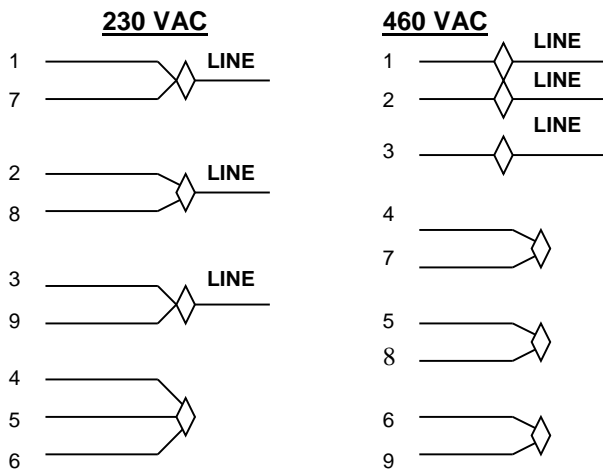
INTERCHANGE LEADWIRES 5 & 8 to REVERSE ROTATION

## B. 1Ø, 7 WIRE



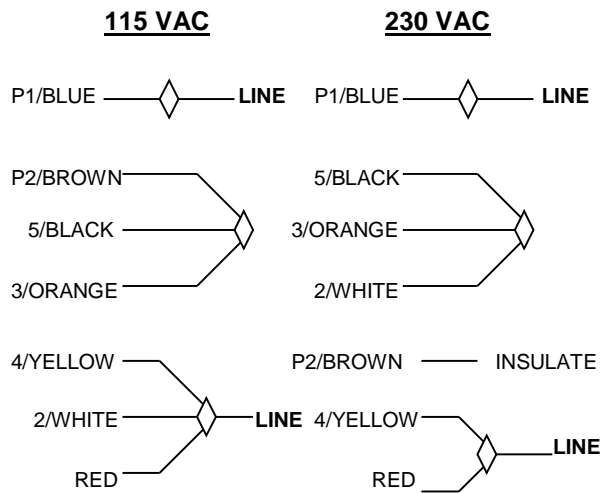
INTERCHANGE LEADWIRES 5 & 8 to REVERSE ROTATION

## C. 3Ø, 9 WIRE



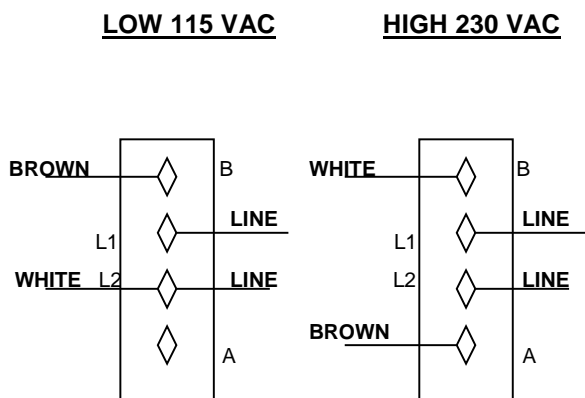
INTERCHANGE ANY TWO LEAD LINES TO REVERSE ROTATION

## D. 1Ø, EMERSON 1/8 HP MOTOR



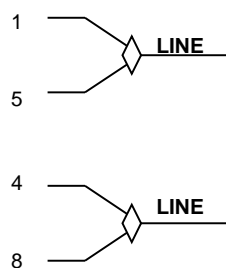
INTERCHANGE RED AND BLACK TO REVERSE ROTATION

## E. 1Ø, SPA DUTY WITH TERMINAL STRIPS



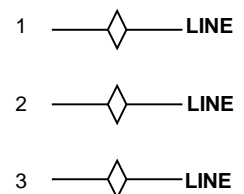
## F. 1Ø, 230 VAC

### SINGLE VOLTAGE



INTERCHANGE LEAD WIRES 5 & 8 TO REVERSE ROTATION

## G. 3Ø, 575 VAC



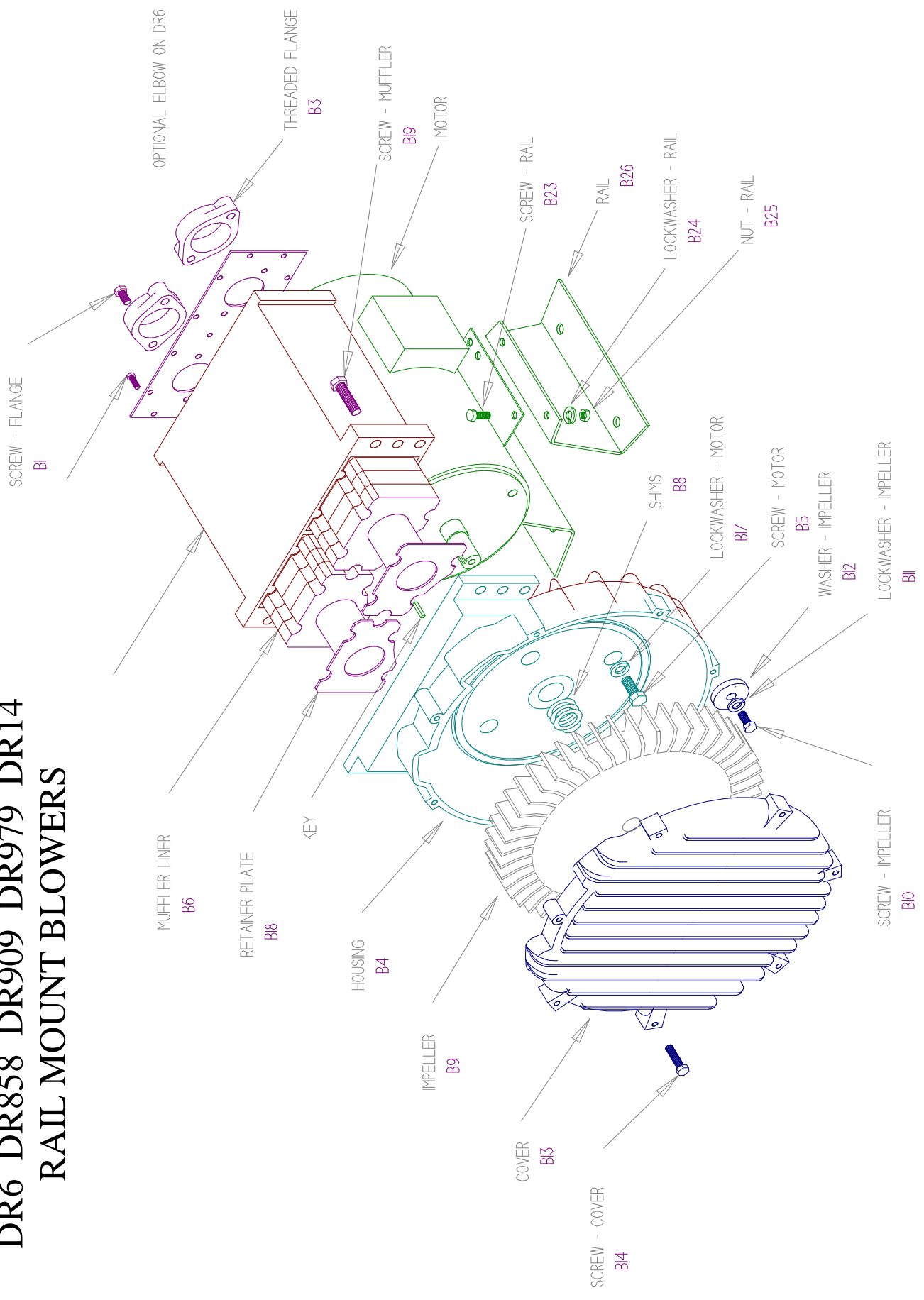
INTERCHANGE ANY TWO LEAD LINES TO REVERSE ROTATION

ASSEMBLY DIAGRAM

ASSEMBLY DIAGRAM

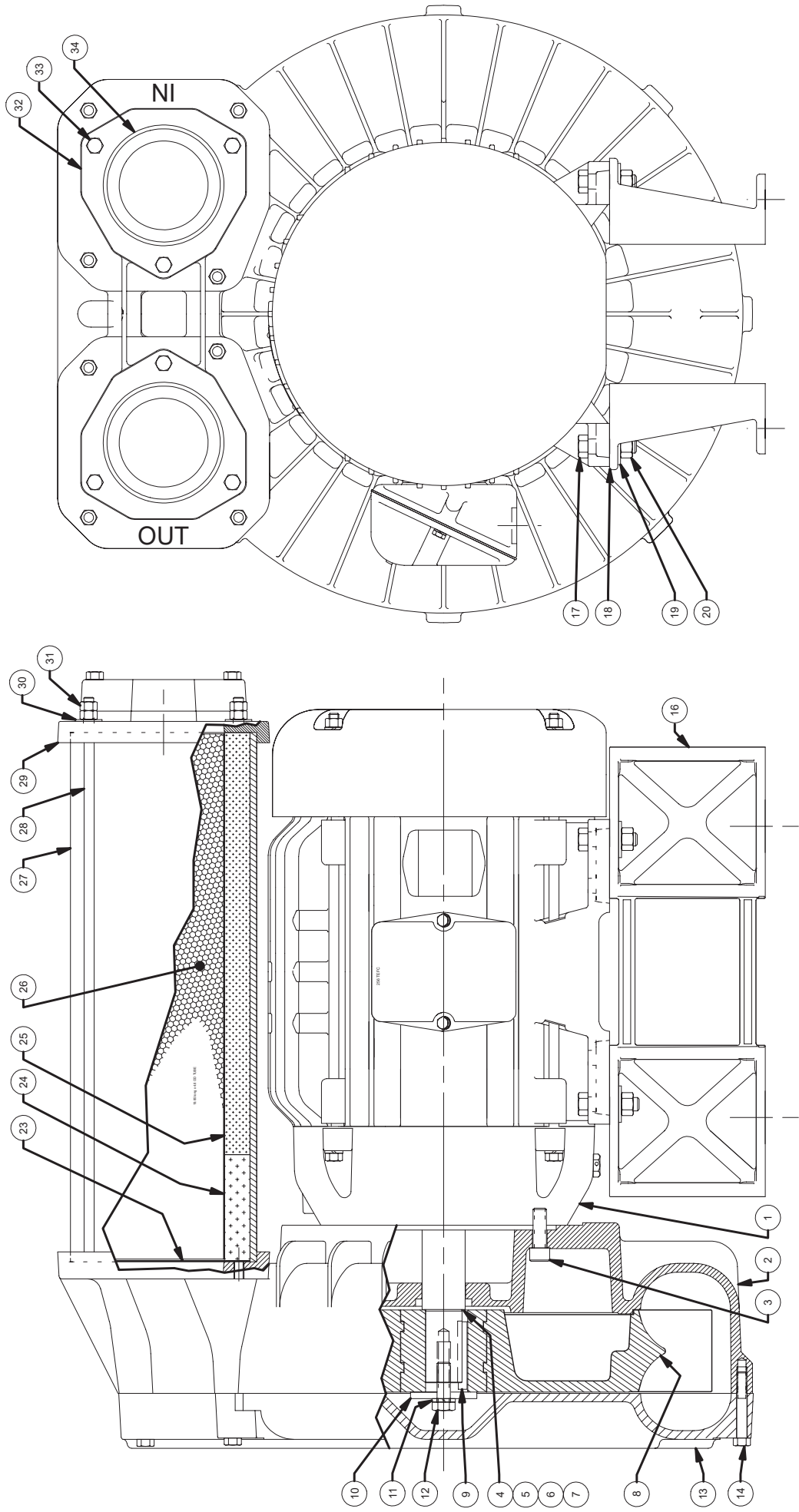
DR6 DR858 DR909 DR979 DR14

RAIL MOUNT BLOWERS





# ASSEMBLY DIAGRAM "B"



**DR 6/858/909/979/14**  
**Service and Parts Manual**

Model:  
Part No.:

**Parts Breakdown**

DR6  
027578  
027579  
027600  
036212  
038071

DR858 - Rail  
038735  
038736  
038737  
080173  
080022  
080172

DR909 - Rail  
038620  
038621  
038625  
080300  
038633

DR858 - Base  
038735  
038736  
038737  
080173

DR909 - Base  
038622  
038623  
038626  
080183

DR909 - Rail  
081737  
081739  
081738  
081744

DR909 - Rail  
081737  
081739  
081738  
081744

DR14  
038750  
038751  
038759  
080451  
080612

| Item No. | Qty. | Req'd Description     | DR6            | DR858 - Rail   | DR858 - Base   | DR909 - Rail    | DR909 - Base    | DR909 - Rail    | DR909 - Base    | DR909 - Rail   | DR909 - Base   | DR909 - Rail   | DR909 - Base    | DR909 - Rail | DR909 - Base | DR14          |          |
|----------|------|-----------------------|----------------|----------------|----------------|-----------------|-----------------|-----------------|-----------------|----------------|----------------|----------------|-----------------|--------------|--------------|---------------|----------|
| M3       | 1    | Key Motor Shaft       | 510212         | 511532         | 511532         | 511532          | 511532          | 511532          | 511532          | 511532         | 511532         | 511532         | 511532          | 511532       | 511532       | 551570        | 55066    |
| B1       | 6    | Screw, Flange         | (4 pcs) 420065 | (4 pcs) 155067 | (4 pcs) 155067 | 140016          | 140016          | 140016          | 140016          | 140016         | 140016         | 140016         | 140016          | 140016       | 140016       | 140016        | 140016   |
| B3       | 2    | Flange                | 478341         | 511614         | 511614         | 529912          | 53003           | 529912          | 53003           | 529912         | 53003          | 529912         | 53003           | 529912       | 529912       | 529912        | 529912   |
| B4       | 2    | Screen, Flange Guard  | 511479         | Not Used       | Not Used       | Not Used        | Not Used        | Not Used        | Not Used        | Not Used       | Not Used       | Not Used       | Not Used        | Not Used     | Not Used     | Not Used      | Not Used |
| B4       | 1    | Elbow 90°             | See Next Page  | Not Used       | Not Used       | Not Used        | Not Used        | Not Used        | Not Used        | Not Used       | Not Used       | Not Used       | Not Used        | Not Used     | Not Used     | Not Used      | Not Used |
| B4       | 1    | Housing               | 515497         | 515410         | 515410         | 515356          | 53039           | 515356          | 53039           | 515356         | 53039          | 515356         | 53039           | 515356       | 53039        | See Next Page | 515975   |
| B5       | 4    | Screw, Hsg /Motor     | 251792         | 155034         | 155034         | 140014          | 140014          | 140014          | 140014          | 140014         | 140014         | 140014         | 140014          | 140014       | 140014       | 120205        | 120205   |
| B6       |      | Muffler Material      | Not Used       | (7 pcs) 551736 | (7 pcs) 551736 | (10 pcs) 551738 | (10 pcs) 551738 | (10 pcs) 551738 | (10 pcs) 551738 | (2 pcs) 552477 | (2 pcs) 552477 | (8 pcs) 551571 | (12 pcs) 551740 |              |              |               |          |
| B6       |      | Muffler Material      | Not Used       | (2 pcs) 551737 | (2 pcs) 551737 | (2 pcs) 551739  | (2 pcs) 551739  | (2 pcs) 551739  | (2 pcs) 551739  | 552483         | 552483         | Not Used       | (2 pcs) 551741  |              |              |               |          |
| B8       | 2    | Muffler Screen guard  | Not Used       | Not Used       | Not Used       | 551730          | 551730          | 551730          | 551730          | Not Used       | Not Used       | Not Used       | Not Used        | Not Used     | Not Used     | 551744        | 551744   |
| B8       | *    | Shim .002"            | 272703         | 511547         | 511547         | 511547          | 511547          | 511547          | 511547          | 511547         | 511547         | 511547         | 511547          | 511547       | 511547       | 511547        | 515991   |
| B8       | *    | Shim .005"            | 272704         | 511548         | 511548         | 511548          | 511548          | 511548          | 511548          | 511548         | 511548         | 511548         | 511548          | 511548       | 511548       | 511548        | 515992   |
| B8       | *    | Shim .010"            | 272705         | 511549         | 511549         | 511549          | 511549          | 511549          | 511549          | 511549         | 511549         | 511549         | 511549          | 511549       | 511549       | 511549        | 515993   |
| B8       | *    | Shim .020"            | 272706         | 511550         | 511550         | 511550          | 511550          | 511550          | 511550          | 511550         | 511550         | 511550         | 511550          | 511550       | 511550       | 511550        | 515994   |
| B9       | 1    | Impeller              | 515484         | 515249         | 515249         | 552431          | 552431          | 552431          | 552431          | 552431         | 552431         | 551566         | 515509          |              |              |               |          |
| B10      | 1    | Bolt, Impeller        | 251791         | 120210         | 120210         | 140015          | 140015          | 140015          | 140015          | 140015         | 140015         | 140015         | 140015          | 140015       | 140015       | 140015        | 155068   |
| B11      | 1    | Lockwasher, Impeller  | 251787         | 251788         | 251788         | 251788          | 251788          | 251788          | 251788          | 251788         | 251788         | 251788         | 251788          | 251788       | 251788       | 251788        | 251788   |
| B12      | 1    | Washer, Impeller      | Not Used       | 511529         | 511529         | Not Used        | Not Used        | Not Used        | Not Used        | Not Used       | Not Used       | Not Used       | Not Used        | Not Used     | Not Used     | Not Used      | Not Used |
| B13      | 1    | Cover                 | 515488         | 515247         | 515247         | 515359          | 515359          | 515359          | 515359          | 515359         | 515359         | 515359         | 515359          | 515359       | 515359       | 515359        | 515910   |
| B14      | 8    | Screw, Cover          | 155170         | 140016         | 140016         | 140016          | 140016          | 140016          | 140016          | 140016         | 140016         | 140016         | 140016          | 140016       | 140016       | 140016        | 155069   |
| B15      | 1    | Eye Bolt              | Not Used       | 140019         | Not Used       | 140019          | Not Used        | 140019          | Not Used        | Not Used       | Not Used       | Not Used       | Not Used        | Not Used     | Not Used     | Not Used      | 140019   |
| B16      | 1    | Spacer, Impeller Bolt | 478336         | 515555         | 515555         | 511529          | 511529          | 511529          | 511529          | 511529         | 511529         | 511529         | 511529          | 511529       | 511529       | 511529        | 515990   |
| B17      | 4    | Shaft Sleeve          | Not Used       | Not Used       | Not Used       | Not Used        | Not Used        | Not Used        | Not Used        | Not Used       | Not Used       | Not Used       | Not Used        | Not Used     | Not Used     | Not Used      | Not Used |
| B17      | 4    | Lockwasher, Housing   | 251788         | Not Used       | Not Used       | Not Used        | Not Used        | Not Used        | Not Used        | Not Used       | Not Used       | Not Used       | Not Used        | Not Used     | Not Used     | Not Used      | Not Used |
| B18      | 2    | Screen, Muffler       | Not Used       | 551723         | 551723         | 551725          | 551725          | 551725          | 551725          | 551725         | 551725         | 551725         | 551725          | 551725       | 551725       | 551725        | 551727   |
| B18      | 2    | Finger guard          | Not Used       | Not Used       | Not Used       | 551730          | Not Used        | 551730          | Not Used        | Not Used       | Not Used       | Not Used       | Not Used        | Not Used     | Not Used     | Not Used      | Not Used |
| B19      | 6    | Bolt, Muffler Hsg/Hsg | Not Used       | 155025         | 155025         | 155025          | 155025          | 155025          | 155025          | (3) 120251     | 155025         | 155025         | 155025          | 155025       | 155025       | 155025        | 155067   |
| B19A     | 4    | Bolt, Muffler Hsg/Hsg | Not Used       | 120214         | Not Used       | 120214          | Not Used        | 120214          | Not Used        | (4) 155025     | Not Used       | Not Used       | Not Used        | Not Used     | Not Used     | Not Used      | 120214   |
| B20      | 1    | Muffler Housing       | Not Used       | 550019         | 550017         | 529932          | 552976          | 529932          | 552976          | 552976         | 552976         | 552976         | 552976          | 552976       | 552976       | 552976        | 550039   |
| B20      | 1    | Muffler Discrete      | 522948         | Not Used       | Not Used       | Not Used        | Not Used        | Not Used        | Not Used        | Not Used       | Not Used       | Not Used       | Not Used        | Not Used     | Not Used     | Not Used      | Not Used |
| B20      | 2    | Bolt, Motor/Muffler   | Not Used       | Not Used       | Not Used       | Not Used        | Not Used        | Not Used        | Not Used        | Not Used       | Not Used       | Not Used       | Not Used        | Not Used     | Not Used     | Not Used      | Not Used |
| B20      | 2    | Lockwasher, Motor/Mu  | Not Used       | Not Used       | Not Used       | Not Used        | Not Used        | Not Used        | Not Used        | Not Used       | Not Used       | Not Used       | Not Used        | Not Used     | Not Used     | Not Used      | Not Used |
| B20      | 2    | Washer, Motor/Muffler | Not Used       | Not Used       | Not Used       | Not Used        | Not Used        | Not Used        | Not Used        | Not Used       | Not Used       | Not Used       | Not Used        | Not Used     | Not Used     | Not Used      | Not Used |

**OBSOLETE**

**NEW**

**OBSOLETE**

**OBSOLETE**

**OBSOLETE**

|     |   |                   |          |          |          |               |          |                   |               |          |
|-----|---|-------------------|----------|----------|----------|---------------|----------|-------------------|---------------|----------|
| B23 | 4 | Bolt, Rail        | 251791   | 12007    | Not Used | See Next Page | Not Used | 140016            | See Next Page | 120256   |
| B24 | 4 | Lockwasher Rail   | 251787   | 251787   | Not Used | 251787        | Not Used | 251787            | See Next Page | 251788   |
|     | 8 | Washer Rail/Motor | Not Used | Not Used | Not Used | See Next Page | Not Used | <b>(8) 155091</b> | See Next Page | Not Used |
| B25 | 4 | Nut, Rail         | 251789   | 251789   | Not Used | 251789        | Not Used | 251789            | See Next Page | 155070   |
| B26 | 2 | Rail Mounting     | 478338   | 595301   | Not Used | See Next Page | Not Used | <b>551658</b>     | See Next Page | 551658   |

| Model       | Part # | Motor         | Wiring Diagram | Specific Parts   | Bearing, Rear (M1) | Bearing, Impeller End (M2) |
|-------------|--------|---------------|----------------|--|--------------------|----------------------------|
| DR6D89      | 027578 | 500291        | C              | Elbow - not used   | 510217             | 510218                     |
| DR6D86      | 027579 | 500292        | G              |  |                    |                            |
| DR6K72      | 027600 | 500293        | C              | Elbow - (1 pc) 120153  |                    |                            |
| DR6D5       | 036212 | 510459        | F              |  |                    |                            |
| HiE6D89     | 038071 | 529325        | C              |  |                    |                            |
| DR858AY72W  | 038738 | 511570        | C              |  |                    |                            |
| DR858AY86W  | 080172 | 515568        | G              |  |                    |                            |
| DR858AY86X  | 080173 | 515568        | G              |  |                    |                            |
| HiE858AY72W | 080022 | 529599        | c              |  |                    |                            |
| DR858BB72W  | 038740 | 511571        | C              |  |                    |                            |
| DR858BB86W  | 038742 | 515567        | C              |  |                    |                            |
| HiE858BB72W | 038743 | 529600        | C              |  |                    |                            |
| DR858BB72X  | 038735 | 511571        | C              |  |                    |                            |
| DR858AY72X  | 038736 | 511570        | C              |  |                    |                            |
| DR858BB86X  | 038737 | 515567        | G              |  |                    |                            |
| DR909BE72W  | 038620 | <b>553286</b> | C              | B23 (4 pcs) 140016   | 516840             | 516844                     |
| DR909BB72W  | 038621 | 511571        | C              | (16 pcs) 155091  |                    |                            |
| DR909BE86W  | 038625 | <b>TBD</b>    | G              | B26 (2 pcs) 595301   |                    |                            |
| DR909BB86W  | 080300 | 515567        | G              |  |                    |                            |
| HiE909BE72W | 038633 | 529601        | C              | B23 (4 pcs) 120256   |                    |                            |
| DR909BE72X  | 038622 | <b>553066</b> | C              | (8 pcs) 155091   |                    |                            |
| DR909BB72X  | 038623 | 511571        | C              | B26 (2 pcs) 516242   |                    |                            |
| DR909BE86X  | 038626 | <b>TBD</b>    | G              | Note 511572 replaced by 553286 with cut down fins  |                    |                            |
| DR909BB86X  | 080183 | 515567        | G              | (note was 511601 but that motor no longer fits)  |                    |                            |
| DR909BE72W  | 081737 | <b>553286</b> | C              | Note 511572 replaced by 553286 with cut down fins  |                    |                            |
| DR909BB72W  | 081738 | 511571        | C              | (note was 511601 but that motor no longer fits)  |                    |                            |
| DR909BE86W  | 081739 | <b>TBD</b>    | G              |  |                    |                            |
| DR909BB86W  | 081744 | 515567        | G              |  |                    |                            |
| DR979BE86W  | 080702 | 551605        | G              | B4 = 551383, B15 = 140019  |                    |                            |
| DR979BE72W  | 080704 | 551604        | C              | B19A = Not used, B23 = 155095, B26 = 595301  |                    |                            |
| DR979BE72W  | 080632 | 551603        | C              | B24 = (4pcs) 251787 & (8 pcs) 155091,<br>B25 = 595301, B20 = 551422  |                    |                            |
| DR979BH72W  | 080718 | 551635        | C              | B4 = 551560 B15 = Not used<br>B19A = 155070, B23 = 120256 B26 = 551658<br>B24= (4 pcs) 251788 & (8 pcs) 120211, (4) 155091,<br>B20 = 551422 B25 = 155070 |                    |                            |
| DR14DW72MW  | 038750 | 516096        | C              |  | 516844             | 516846                     |
| DR14DW86MW  | 038751 | 516097        | G              |  |                    |                            |
| DR14BH72MW  | 038752 | 510463        | C              |  | 516842             | 516844                     |
| DR14BH86MW  | 038753 | 511511        | G              |  |                    |                            |

deded \*\*\*Viewed looking at inlet/outlet ports

| Model       | Part # | Motor  | Wiring Diagram | Specific Parts | Bearing, Rear (M1) | Bearing, Impeller End (M2) |
|-------------|--------|--------|----------------|----------------|--------------------|----------------------------|
| DR14DT72MW  | 080451 | 551037 | C              |                |                    |                            |
| DR14DT86MW  | 080612 | 516100 | G              |                |                    |                            |
| HiE14DW72MW | 038759 | 529603 | C              |                | 516844             | 516846                     |

**Use Assembly Diagram "B" for non obsolete DR14**

**DR 14**  
**Service and Parts Manual**

Model:

Part No.:

DR14  
081476  
081479  
081483  
081497

DR14  
081480  
081484

DR14  
038752  
038753  
  
OBSOLETE

**Parts Breakdown**

| REF # | QTY | Description            | See Below | See Below | M3   | 1  | Key Motor Shaft                  | 511532          |
|-------|-----|------------------------|-----------|-----------|------|----|----------------------------------|-----------------|
| 1     | 1   | Motor                  | See Below | See Below | B1   | 6  | Screw, Flange                    | 140016          |
| 2     | 1   | Housing                | 552309    | 552304    | B3   | 2  | Flange                           | 529912          |
| 3     | 4   | Housing to mtr bolts   | 120256    | 155025    |      | 2  | Screen, Flange Guard             | Not Used        |
| 4     | *   | Shim                   | 515991    | 511547    |      | 2  | Elbow 90°                        | Not Used        |
| 5     | *   | Shim                   | 515992    | 511548    | B4   | 1  | Housing                          | 515983          |
| 6     | *   | Shim                   | 515993    | 511549    | B5   | 4  | Screw, Hsg /Motor                | 120205          |
| 7     | *   | Shim                   | 515994    | 511550    | B6   | 28 | Muffler Material                 | (12 pcs) 551740 |
| 8     | 1   | Impeller               | 515509    | 515683    |      | 2  | Muffler Material                 | (2 pcs) 551741  |
| 9     | 1   | Mtr shaft Key          | 155066    | 511532    |      | 2  | Muffler Screen guard             | 551744          |
| 10    | 1   | Impeller washer        | 515990    | 515990    | B8   | *  | Shim .002"                       | 511547          |
| 11    | 1   | Impeller lockwasher    | 251788    | 251788    |      | *  | Shim .005"                       | 511548          |
| 12    | 1   | Impeller bolt          | 155068    | 120251    |      | *  | Shim .010"                       | 511549          |
| 13    | 1   | Cover                  | 515910    | 515910    |      | *  | Shim .020"                       | 511550          |
| 14    | 8   | Cover screws           | 155069    | 155069    |      | 1  | Impeller                         | 515683          |
| 15    |     | Not used               | Not used  | Not used  | B9   | 1  | Bolt, Impeller                   | 120251          |
| 16    | 2   | Mounting Rails         | 551658    | 551658    | B10  | 1  | Bolt, Impeller                   | 120251          |
| 17    | 4   | Rail Bolts             | 120205    | 120205    | B11  | 1  | Lockwasher, Impeller             | 251788          |
| 18    | 4   | Rail spacers           | Not used  | Not used  | B12  | 1  | Washer, Impeller                 | Not Used        |
| 19    | 4   | Rail lockwashers       | 251788    | 251788    | B13  | 1  | Cover                            | 515910          |
| 20    | 4   | Rail -Nuts             | 155070    | 155070    | B14  | 8  | Screw, Cover                     | 155069          |
| 21    | 4   | Rail washers           | 155091    | 155091    | B15  | 1  | Eye Bolt                         | 140019          |
| 22    |     | Not used               | Not used  | Not used  | B16  | 1  | Spacer, Impeller Bolt            | 515990          |
| 23    | 2   | Finger guard screen    | 552322    | 552322    |      |    | Shaft Sleeve                     | Not Used        |
| 24    | 2   | Muffler foam (hi temp) | 552328    | 552328    | B17  | 4  | Lockwasher, Housing              | Not Used        |
| 25    | 2   | Muffler foam (regular) | 552327    | 552327    | B18  | 2  | Screen, Muffler Retaining, Right | 551727          |
| 26    | 2   | Retainer               | 552332    | 552332    |      | 2  | Finger guard                     | Not Used        |
| 27    | 2   | Muffler tube           | 552324    | 552324    | B19  | 6  | Bolt, Muffler Hsg/Hsg            | 155067          |
| 28    | 8   | Muffler Tie Rod        | 552325    | 552325    | B19A | 4  | Bolt, Muffler Hsg/Hsg            | 120214          |
| 29    | 1   | Connector plate        | 552298    | 552298    | B20  | 1  | Muffler Housing                  | 550039          |
| 30    | 8   | Muffler washer         | 155091    | 155091    |      | 1  | Muffler Discrete                 | Not Used        |
| 31    | 16  | Muffler tie rod nuts   | 251789    | 251789    |      | 2  | Bolt, Motor/Muffler              | Not Used        |

|    |   |                   |          |          |     |                           |          |
|----|---|-------------------|----------|----------|-----|---------------------------|----------|
| 32 | 2 | Flange            | 529912   | 529912   | 2   | Lockwasher, Motor/Muffler | Not Used |
| 33 | 6 | Flange bolts      | 140016   | 140016   | 2   | Washer, Motor/Muffler     | Not Used |
| 34 |   | Flange Cap.       | Not used | Not used | B23 | Bolt, Rail                | 155025   |
| 35 |   | Not used          | Not used | Not used | B24 | Lockwasher Rail           | 251788   |
| 36 |   | Nameplate- Blower | Not used | Not used | 8   | Washer Rail/Motor         | Not Used |
| 37 |   | Rotation Sticker  | Not used | Not used | B25 | Nut, Rail                 | 155070   |
| 38 |   | Not used          | Not used | Not used | B26 | Rail Mounting             | 551658   |
| 39 |   |                   |          |          |     |                           |          |
| 40 |   |                   |          |          |     |                           |          |
| 41 |   |                   |          |          |     |                           |          |
| 42 |   |                   |          |          |     |                           |          |

| Model       | Part # | Motor  | Wiring Diagram | Specific Parts | Bearing, Rear (M1) | Bearing, Impeller End (M2) |
|-------------|--------|--------|----------------|----------------|--------------------|----------------------------|
| DR14DW72MW  | 081476 | 516096 | C              |                |                    |                            |
| DR14DW86MW  | 081479 | 516097 | G              |                | 516844             | 516846                     |
| DR14BH72MW  | 081480 | 510463 | C              |                |                    |                            |
| DR14BH86MW  | 081481 | 511511 | G              |                | 516842             | 516844                     |
| DR14DT72MW  | 081483 | 551037 | C              |                |                    |                            |
| DR14DT86MW  | 081484 | 516100 | G              |                | 516844             | 516846                     |
| HiE14DW72MW | 081497 | 529603 | C              |                |                    |                            |