

# DR/CP 606 Regenerative Blower

## FEATURES

- Manufactured in the USA
- CE compliant – Declaration of Conformity on file
- Maximum flow: 200 SCFM
- Maximum pressure: 100 IWG
- Maximum vacuum: 6.1" Hg
- Standard motor: 4.0 HP, TEFC
- Cast aluminum blower housing, impeller & cover; cast iron flanges (threaded)
- UL & CSA approved motor with permanently sealed ball bearings
- Inlet & outlet internal muffling
- Quiet operation within OSHA standards

## MOTOR OPTIONS

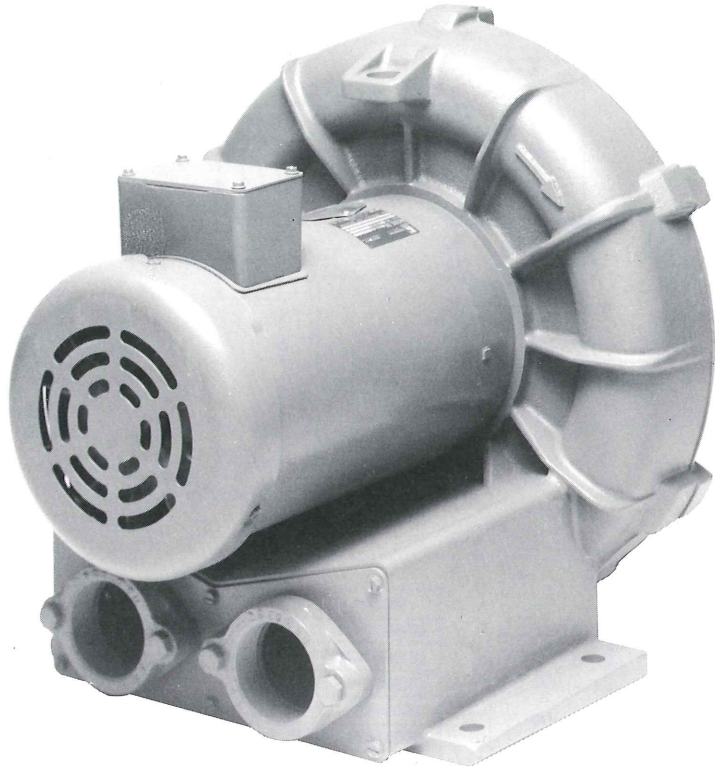
- International voltage & frequency (Hz)
- Chemical duty, high efficiency, inverter duty or industry-specific designs
- Various horsepower for application-specific needs

## BLOWER OPTIONS

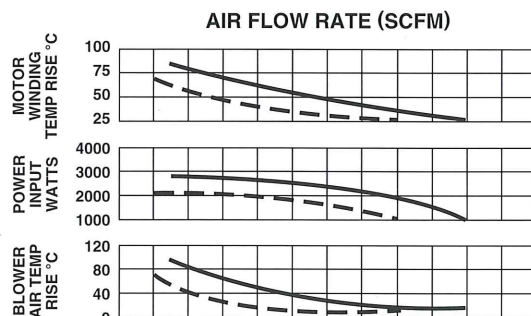
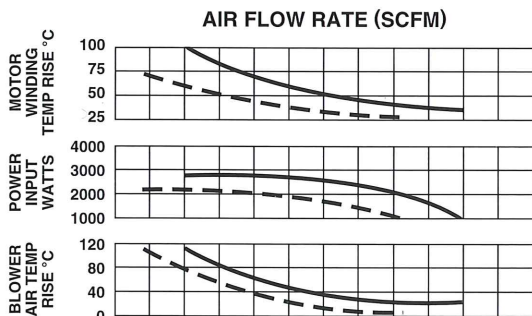
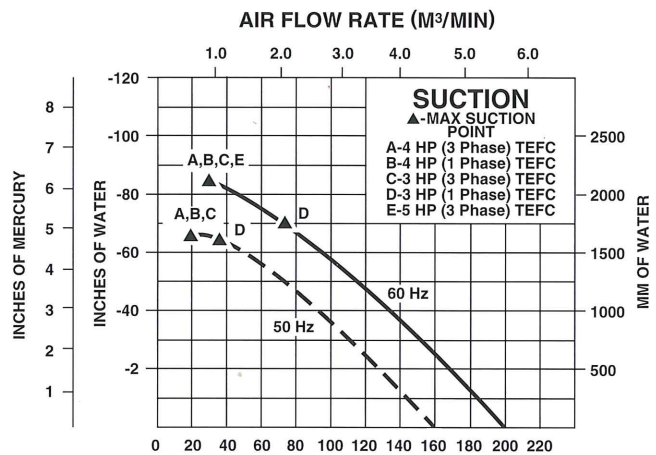
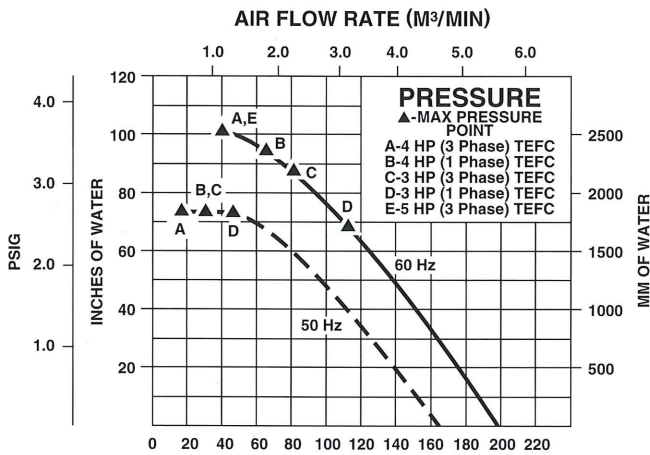
- Corrosion resistant surface treatments & sealing options
- Remote drive (motorless) models
- Slip-on or face flanges for application-specific needs

## ACCESSORIES (See Catalog Accessory Section)

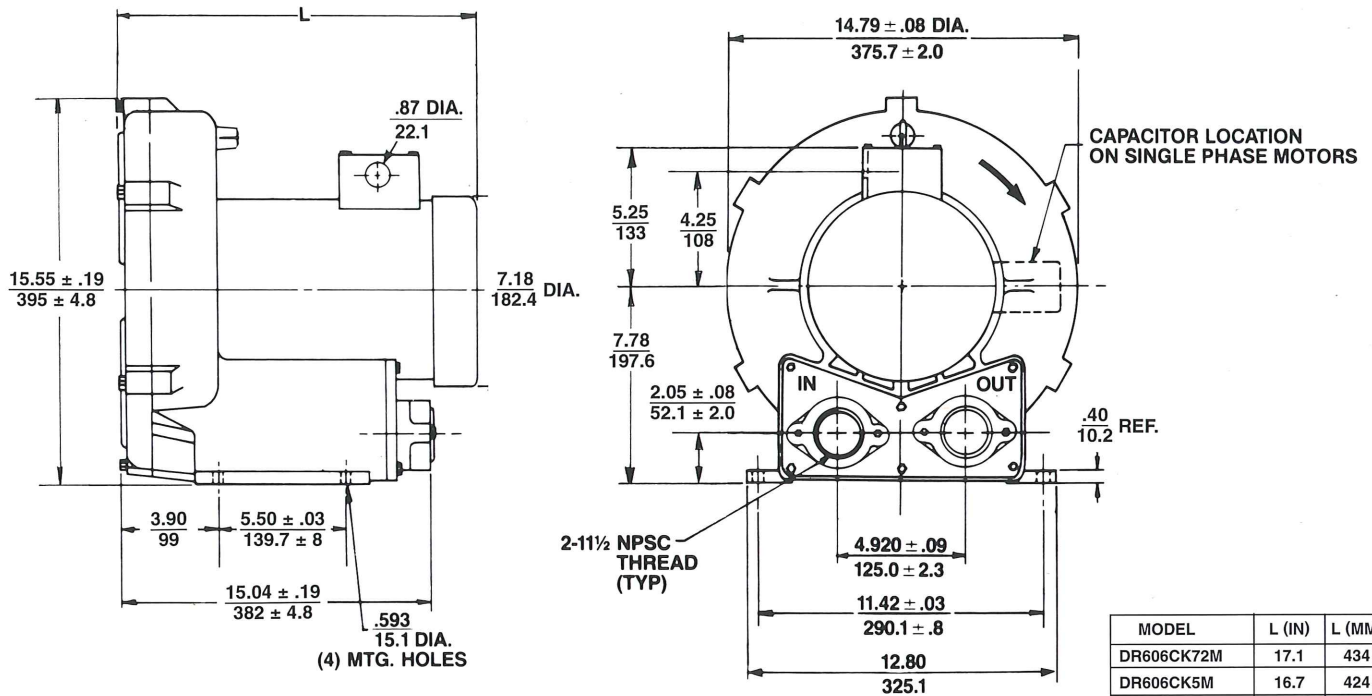
- Flowmeters reading in SCFM
- Filters & moisture separators
- Pressure gauges, vacuum gauges & relief valves
- Switches – air flow, pressure, vacuum or temperature
- External mufflers for additional silencing
- Air knives (used on blow-off applications)



## BLOWER PERFORMANCE AT STANDARD CONDITIONS



# DR/CP 606 Regenerative Blower



DIMENSIONS:  $\frac{\text{IN}}{\text{MM}}$   
 TOLERANCES:  $.XX \pm \frac{.08}{2}$   
 (UNLESS OTHERWISE NOTED)

MODEL	L (IN)	L (MM)
DR606CK72M	17.1	434
DR606CK5M	16.7	424
DR606CK85M	17.1	434
DR606K72M	15.8	401
DR606K58M	17.1	434
CP606CR72MLR	16.7	424

## SPECIFICATIONS

MODEL	DR606CK72M	DR606CK5M	DR606CK86M	DR606K72M	DR606K58M	DR606D72M	CP606CR72MLR
Part No.	038526	038532	038530	038527	038529	080077	038247
Motor Enclosure – Shaft Material	TEFC – CS	TEFC – CS	TEFC – CS	TEFC – CS	TEFC – CS	TEFC – CS	ChemTEFC – SS
Horsepower	4	4	4	3	3	5	Same as DR606CK72M – 038526 except add Chemical Processing (CP) features from catalog inside front cover
Voltage <sup>1</sup>	230/460	230	575	230/460	115/230	208-230/460	
Phase – Frequency <sup>1</sup>	Three - 60 Hz	Single - 60 Hz	Three - 60 Hz	Three - 60 Hz	Single - 60 Hz	Three - 60 Hz	
Insulation Class <sup>2</sup>	F	F	F	F	F	F	
NEMA Rated Motor Amps	10.4/5.2	17.4	4.1	7.6/3.8	24.9/12.4	14-12.8/6.4	
Service Factor	1.0	1.0	1.0	1.15	1.0	1.15	
Locked Rotor Amps	94/47	121	80	88/44	194/97	96/48	
Max. Blower Amps <sup>3</sup>	11.4/5.7	18	4.56	9.5/4.75	27.8/13.9	11-10/5	
Recommended NEMA Starter Size	1/0	2	0	0/0	1.5/1	1/1	
Shipping Weight	98 lb (45 kg)	106 lb (48 kg)	92 lb (42 kg)	96 lb (44 kg)	98 lb (45 kg)	98 lb (45 kg)	

<sup>1</sup> Rotron motors are designed to handle a broad range of world voltages and power supply variations. Our dual voltage 3 phase motors are factory tested and certified to operate on both: **208-230/415-460 VAC-3 ph-60 Hz** and **200-220/400-440 VAC-3 ph-50 Hz**. Our dual voltage 1 phase motors are factory tested and certified to operate on both: **104-115/208-230 VAC-1 ph-60 Hz** and **100-110/200-220 VAC-1 ph-50 Hz**. All voltages above can handle a  $\pm 10\%$  voltage fluctuation. Special wound motors can be ordered for voltages outside our certified range.

<sup>2</sup> Maximum operating temperature: Motor winding temperature (winding rise plus ambient) should not exceed 140°C for Class F rated motors or 120°C for Class B rated motors. Blower outlet air temperature should not exceed 140°C (air temperature rise plus inlet temperature). Performance curve maximum pressure and suction points are based on a 40°C inlet and ambient temperature. Consult factory for inlet or ambient temperatures above 40°C.

<sup>3</sup> Maximum blower amps corresponds to the performance point at which the motor or blower temperature rise with a 40°C inlet and/or ambient temperature reaches the maximum operating temperature.

Specifications subject to change without notice. Please contact factory for specification updates.